

Record your model number:

记录您的型号:

บันทึกหมายเลขรุ่นของคุณ: _____

WARNING: Risk of scalding. High water temperature can cause severe burns. Set the valve water temperature at or below 120°F (49°C). Refer to the temperature adjustment instructions for the valve.

CAUTION: Risk of property damage. Spraying pressurized water directly at the sprayface may cause water to leak behind the finished wall. Do not spray pressurized water directly into the sprayface.

NOTE: The body spray can be installed vertically (shown) or horizontally.

NOTE: The steps are the same for single and multiple body spray installations.

Follow all local plumbing and building codes.

All installations should comply with the relevant requirements of AS/NZS 3500.

The water efficiency label applied to the shower indicates that the water efficiency grade and other performance of the product meet the requirements of GB 28378-2019 "Minimum Allowable Values of Water Efficiency and Water Efficiency Grades for Showers" which is a marking of product conformity.

1A. Sealant Tape

1B. M8, M10 Hex Wrenches

1C. Temporary G1/2 Nipple and Plug

2A. 3-1/8" (79 mm) - 3-1/2" (89 mm) Installation Depth

3A. Single Body Spray: Install a G1/2 elbow and temporary nipple at the body spray installation location.

3B. Multiple Body Sprays: Construct a pressure-balancing loop. Install a G1/2 tee/elbow and temporary nipple at each body spray installation location.

4A. Flush hot and cold water for 1 minute to remove any debris.

6A. Turn ON the water supplies and check for leaks.

9A. Install the finished wall. Remove the temporary nipple.

10A. Cut the pipe connector so the face of the connector is 1-11/16" (42 mm) - 2" (51 mm) from the finished wall when installed.

11A. Using an M8 hex wrench, thread the pipe connector into the elbow/tee.

12A. Using a M10 hex wrench, thread the adapter onto the pipe connector.

14A. Position a weep hole at the bottom.

Need help? Contact our Customer Care Center.

• Thailand: callcenterthailand@kohler.com, +(66) 2700-9299

• Australia: 1800 KOHLER (1800-564-537)

• New Zealand: 0800-564-537

• Mainland China: +(86) 800-820-2628, +(86) 400-820-2628

• Hong Kong (China), Macau (China), Taiwan (China): +(852) 3125-7728

• Brunei, Guam, Indonesia, Japan, Malaysia, Mongolia, Philippines, Singapore, South Korea, Vietnam: +(86) 21-2606-2572

This product is covered under the **Five-Year Limited Warranty for KOHLER® Faucets**, found in the packed Compliance Certification.

警告：烫伤风险。水温过高会导致严重灼伤。将阀芯水温设置为等于或低于 120°F (49°C)。请参阅阀芯的温度调节说明。

小心：提防墙体受损风险。加压力直接喷洒在花洒正面，可能导致成品墙背面渗水。请勿将加压力直接喷洒到花洒上。

注：身体喷头可以垂直方向安装（如图所示），或者水平方向安装。

注：单个身体喷头和多个身体喷头的安装步骤相同。

请遵守当地管路安装及建筑条例。

所有安装都应遵循 AS/NZS 3500 的相关要求。

淋浴器施加的水效标识表明本产品的能效等级等性能符合 GB 28378-2019《淋浴器水效限定值及能效等级》的要求，是产品符合性的一种标识。

1A. 密封胶条

1B. M8、M10 六角扳手

1C. 临时 G1/2 螺纹接头和塞子

2A. 3-1/8 英寸（79 毫米）- 3-1/2 英寸（89 毫米）安装深度

3A. 单个身体喷头：在身体喷头安装位置安装一个 G1/2 弯管和临时螺纹接头。

3B. 多个身体喷头：构建一个压力平衡回路。在每个身体喷头安装位置安装一个 G1/2 三通/弯管和临时螺纹接头。

4A. 冲洗热水和冷水供水管道 1 分钟以去除杂质。

6A. 打开供水系统，检查是否漏水。

9A. 安装成品墙。拆下临时螺纹接头。

10A. 切断管接头，使接头的表面在安装时距离成品墙 1-11/16 英寸（42 毫米）- 2 英寸（51 毫米）。

11A. 使用 M8 六角扳手，将管接头拧入弯管/三通。

12A. 使用 M10 六角扳手，将适配器拧到管接头上。

14A. 在底部设置一个排水孔。

需要帮助？请联系我们的客户服务中心。

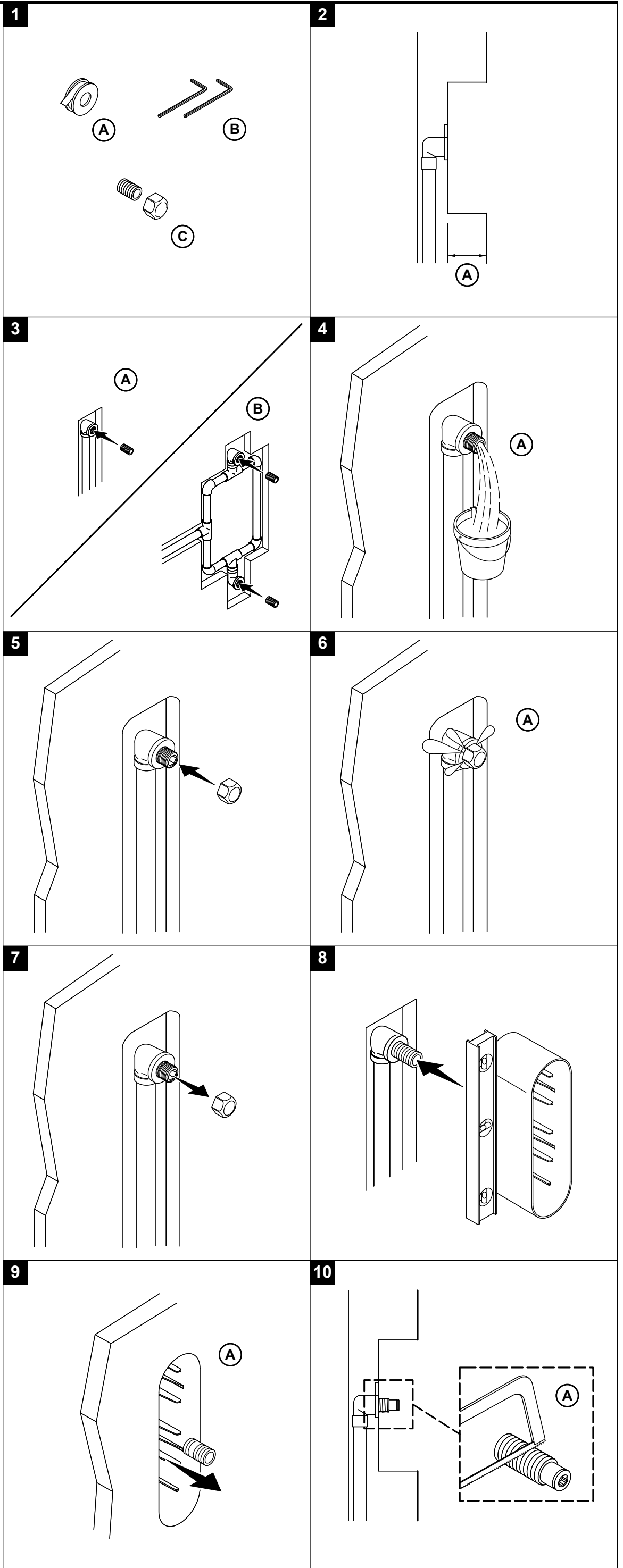
• 泰国: callcenterthailand@kohler.com, +(66) 2700-9299

• 澳大利亚: 1800 KOHLER (1800-564-537)

• 新西兰: 0800-564-537

• 中国大陆: +(86) 800-820-2628, +(86) 400-820-2628

• 中国香港、中国澳门、中国台湾: +(852) 3125-7728



- 文莱、关岛、印度尼西亚、日本、马来西亚、蒙古、菲律宾、新加坡、韩国、越南: +(86) 21-2606-2572

本产品支持科勒®水龙头五年有限担保, 详见包装所附的《合格证》。

⚠️ คำเตือน: ความเสี่ยงต่อการลวก อุณหภูมิของน้ำที่สูงสามารถทำให้เกิดการลวกพองที่รุนแรง ตั้งไว้ที่อุณหภูมิของน้ำไปที่ 120 องศาฟาเรนไฮต์ (49 องศาเซลเซียส) หรือต่ำกว่า คุณแนะนำในการปรับอุณหภูมิสำหรับน้ำแล้ว

⚠️ ข้อควรระวัง: ความเสี่ยงต่อความเสียหายต่อทรัพย์สิน การพ่นน้ำที่มีแรงดันที่หัวฝักบัวโดยตรงอาจทำให้น้ำรั่วที่ด้านหลังผนังสำเร็จรูป อย่าพ่นน้ำที่มีแรงดันที่หัวฝักบัวโดยตรง

หมายเหตุ: สามารถติดตั้งบอดีสเปร์รี่ในแนวตั้ง (แสดง) หรือแนวนอน

หมายเหตุ: ขั้นตอนจะเหมือนกับการติดตั้งฝักบัวฉีดลำตัวแบบหนึ่งตัวและหลายตัว

ปฏิบัติตามประมวลกฎหมายว่าด้วยระบบประปาและอาคารในท้องถิ่นทั้งหมด

การติดตั้งทั้งหมดควรปฏิบัติตามข้อกำหนดที่เกี่ยวข้องของ AS/NZS 3500

ดูจากมาตรฐานการใช้น้ำอย่างมีประสิทธิภาพมีผลบังคับใช้กับฝักบัวที่ระดับประสิทธิภาพการประหยัดน้ำและประสิทธิภาพการทำงานอื่นๆ ของผลิตภัณฑ์สอดคล้องตามข้อกำหนด GB 28378-2019 "ค่าขั้นต่ำที่อนุญาตของการใช้น้ำอย่างมีประสิทธิภาพและระดับประสิทธิภาพการประหยัดน้ำของฝักบัว" ซึ่งเป็นเครื่องหมายของมาตรฐานที่สอดคล้องกันของผลิตภัณฑ์

1A. เทปกาว

1B. ประแจหกเหลี่ยม M8, M10

1C. ข้อต่อเกลียวนอก G1/2 ชั่วคราวและปลั๊ก

2A. ความลึกในการติดตั้ง 3-1/8 นิ้ว (79 มม.) - 3-1/2 นิ้ว (89 มม.)

3A. สเปร์รี่หัวตัวแบบเดี่ยว: ติดตั้งข้อต่อ G1/2 และข้อต่อเกลียวนอกชั่วคราวที่ตำแหน่งในการติดตั้งสเปร์รี่พื้นตัวถึง

3B. สเปร์รี่หัวตัวแบบหลายตัว: สร้างวงจรถับสมดุลแรงดัน ติดตั้งข้อต่อ/ข้อต่อรูปตัวที G1/2 และข้อต่อเกลียวนอกชั่วคราวที่ตำแหน่งในการติดตั้งสเปร์รี่พื้นตัวถึงแต่ละตำแหน่ง

4A. ให้น้ำร้อนและน้ำเย็นเป็นเวลา 1 นาที เพื่อจัดเสยต่าง ๆ

6A. เปิดการจ่ายน้ำและตรวจสอบว่ามีการรั่วไหลหรือไม่

9A. ติดตั้งผนังสำเร็จรูป ถอดข้อต่อเกลียวนอกชั่วคราว

10A. ตัดตัวต่อท่อเพื่อให้หน้าของตัวต่อคือ 1-11/16 นิ้ว (42 มม.) - 2 นิ้ว (51 มม.) จากผนังสำเร็จรูปเมื่อติดตั้ง

11A. ขันตัวต่อท่อไปในข้อต่อ/ข้อต่อรูปตัวทีโดยใช้ประแจหกเหลี่ยมขนาด M8

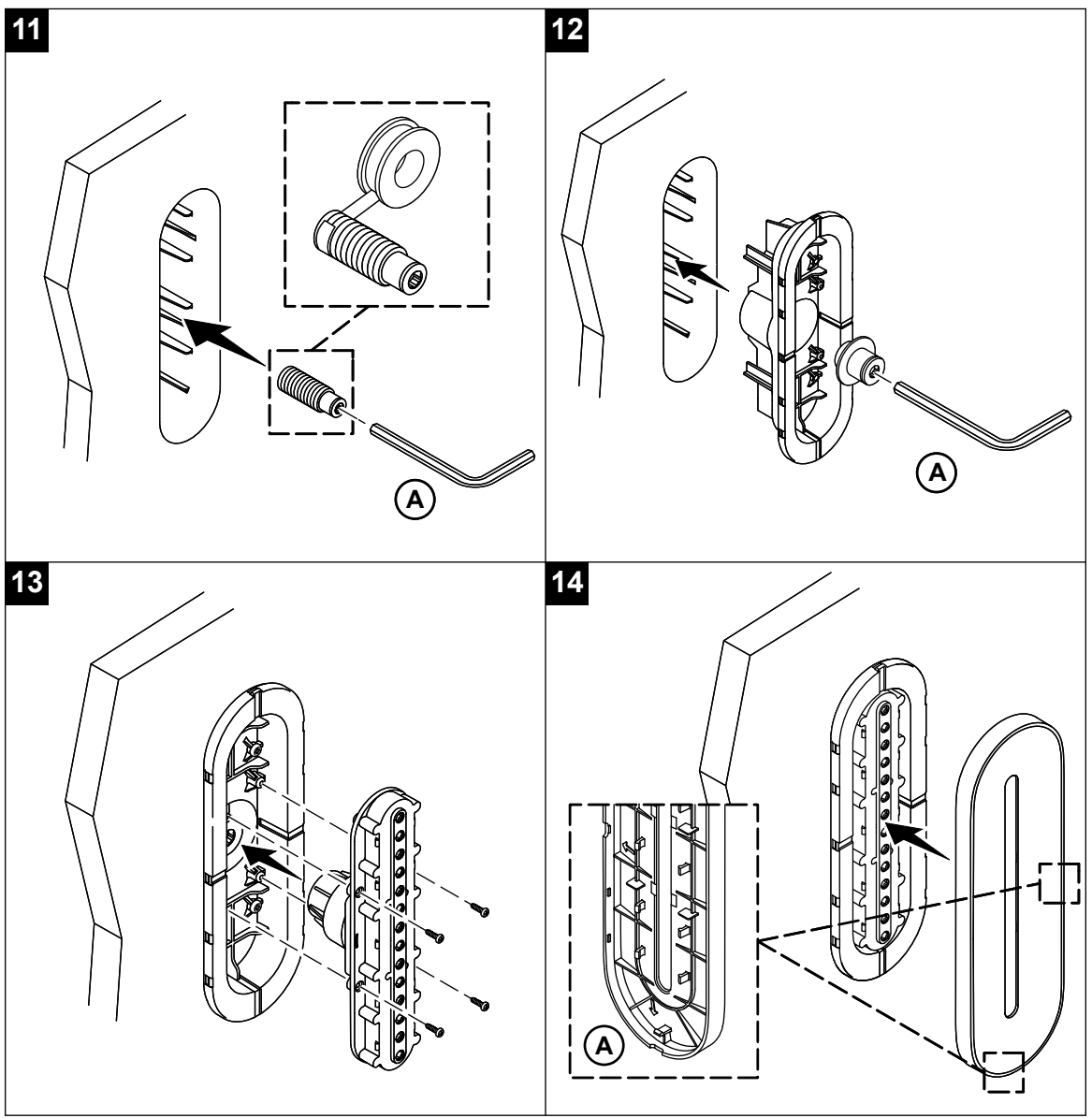
12A. ขันข้อต่อบนตัวต่อท่อโดยใช้ประแจหกเหลี่ยมขนาด M10

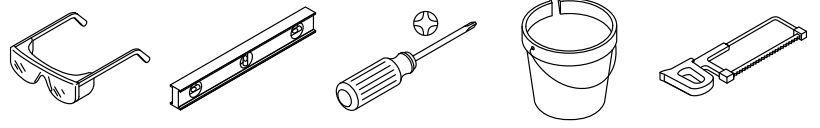
14A. จัดตำแหน่งรูระบายน้ำที่ด้านล่าง

ต้องการความช่วยเหลือหรือไม่ ติดต่อศูนย์บริการลูกค้าของเรา

- ไทย: callcenterthailand@kohler.com, +(66) 2700-9299
- ออสเตรเลีย: 1800 KOHLER (1800-564-537)
- นิวซีแลนด์: 0800-564-537
- จีนแผ่นดินใหญ่: +(86) 800-820-2628, +(86) 400-820-2628
- ฮองกง (จีน) มาเก๊า (จีน) ไต้หวัน (จีน): +(852) 3125-7728
- บรูไน กวม อินโดนีเซีย ฟิลิปปินส์ สิงคโปร์ เกาหลีใต้ เวียดนาม: +(86) 21-2606-2572

ผลิตภัณฑ์นี้ได้รับความคุ้มครองภายใต้การรับประกันแบบจำกัดเป็นระยะเวลาห้าปีสำหรับก๊อกน้ำ KOHLER®ซึ่งสามารถดูได้ในชุดใบรับรองการปฏิบัติตามกฎระเบียบ





모델 번호 기록:

Ghi lại số model của bạn: _____

1430513-T2

경고: 화상 위험. 높은 수온은 심한 화상을 유발할 수 있습니다. 밸브 수온을 49°C(120°F) 이하로 설정하십시오. 밸브에 대한 온도 조정 지침을 참조하십시오.

주의: 재산 피해 위험. 스프레이면에 가압수를 직접 분사하면 마감된 벽 뒤로 물이 누수될 수 있습니다. 가압수를 스프레이 표면에 직접 분사하지 마십시오.

참고: 바디 스프레이는 수직(그림) 또는 수평으로 설치할 수 있습니다.

참고: 이 단계는 단일 및 다중 바디 스프레이 설치에 대해 동일합니다.

모든 현지 배관 및 건물 규정을 따르십시오.

모든 설치는 AS/NZS 3500의 관련 요건을 준수해야 합니다.

샤워기에 부착된 물 효율 라벨은 제품의 물 효율 등급과 기타 성능이 제품 적합성 관련 표시인 GB 28378-2019 "샤워기의 최소 물 효율 허용값 및 물 효율 등급"의 요건을 충족함을 나타냅니다.

1A. 실런트 테이프

1B. M8, M10 육각 렌치

1C. 임시 G1/2 니플 및 플러그

2A. 3-1/8"(79mm)~3-1/2"(89mm) 설치 깊이

3A. 단일 바디 스프레이: 바디 스프레이 설치 위치에 G1/2 엘보 및 임시 니플을 설치합니다.

3B. 멀티 바디 스프레이: 압력 밸런스 루프를 구성합니다. 각 바디 스프레이 설치 위치에 G1/2 티/엘보 및 임시 니플을 설치합니다.

4A. 1분 동안 온수와 냉수를 틀어 잔여물을 제거합니다.

6A. 급수 장치를 켜고 누수 여부를 확인합니다.

9A. 완성된 벽을 설치합니다. 임시 리플을 제거합니다.

10A. 설치 시 연결부의 표면이 완성된 벽에서 1-11/16"(42mm)~2"(51mm)가 되도록 파이프 연결부를 자릅니다.

11A. M8 육각 렌치를 사용하여 파이프 연결부를 엘보/티에 끼웁니다.

12A. M10 육각 렌치를 사용하여 어댑터를 파이프 연결부에 끼웁니다.

14A. 바닥에 배수 구멍의 위치를 잡습니다.

도움이 필요하십니까? 고객 지원 센터에 문의하십시오.

• 태국: callcenterthailand@kohler.com, +(66) 2700-9299

• 호주: 1800 KOHLER(1800-564-537)

• 뉴질랜드: 0800-564-537

• 중국 본토: +(86) 800-820-2628, +(86) 400-820-2628

• 홍콩(중국), 마카오(중국), 대만(중국): +(852) 3125-7728

• 브루나이, 괌, 인도네시아, 일본, 말레이시아, 몽골, 필리핀, 싱가포르, 대한민국, 베트남: +(86) 21-2606-2572

이 제품은 포장된 규정준수 인증서에 들어 있는 **KOHLER® 수도꼭지 5년 제한 보증**의 적용을 받습니다.

⚠ CẢNH BÁO: Nguy cơ bị bỏng. Nhiệt độ nước cao có thể gây bỏng nặng. Đặt nhiệt độ nước của van bằng hoặc dưới 120°F (49°C). Tham khảo hướng dẫn điều chỉnh nhiệt độ cho van.

⚠ THẬN TRỌNG: Rủi ro thiệt hại tài sản. Phun nước có áp suất trực tiếp vào bề mặt phun có thể làm rò rỉ nước phía sau bức tường hoàn thiện. Không phun nước có áp suất trực tiếp vào mặt phun.

LƯU Ý: Bình xịt thân có thể được lắp đặt theo chiều dọc (hiển thị) hoặc theo chiều ngang.

LƯU Ý: Các bước này giống nhau đối với lắp đặt một và nhiều thân sen.

Tuân thủ tất cả các quy định về lắp đặt hệ thống ống nước và xây dựng ở địa phương.

Tất cả các cài đặt phải tuân thủ các yêu cầu liên quan trong tiêu chuẩn AS/NZS 3500.

Nhãn hiệu suất sử dụng nước áp dụng cho vòi sen thể hiện cấp hiệu suất sử dụng nước và hiệu suất khác của sản phẩm đáp ứng các yêu cầu GB 28378-2019 về "Giá trị tối thiểu cho phép của hiệu suất sử dụng nước và cấp hiệu suất sử dụng nước cho vòi sen" là dấu chỉ báo sự phù hợp của sản phẩm.

1A. Băng keo bịt kín

1B. Cờ lê lục giác M8, M10

1C. Nút chặn và đầu nối ren G1/2 tạm thời

2A. Độ sâu lắp đặt 3-1/8" (79 mm) - 3-1/2" (89 mm)

3A. Đầu phun đơn: Lắp một đầu nối góc G1/2 và đầu nối ren tạm thời ở vị trí lắp đặt đầu phun nước.

3B. Cụm đầu phun nước: Lắp một vòng lắp cân bằng áp suất. Lắp một đầu nối chữ T/đầu nối góc G1/2 và đầu nối ren tạm thời ở mỗi vị trí lắp đặt đầu phun nước.

4A. Xả nước nóng và lạnh trong 1 phút để xả hết cặn bẩn.

6A. MỞ các nguồn cấp nước và kiểm tra rò rỉ.

9A. Lắp đặt tường đã hoàn thiện. Tháo đầu nối ren tạm thời.

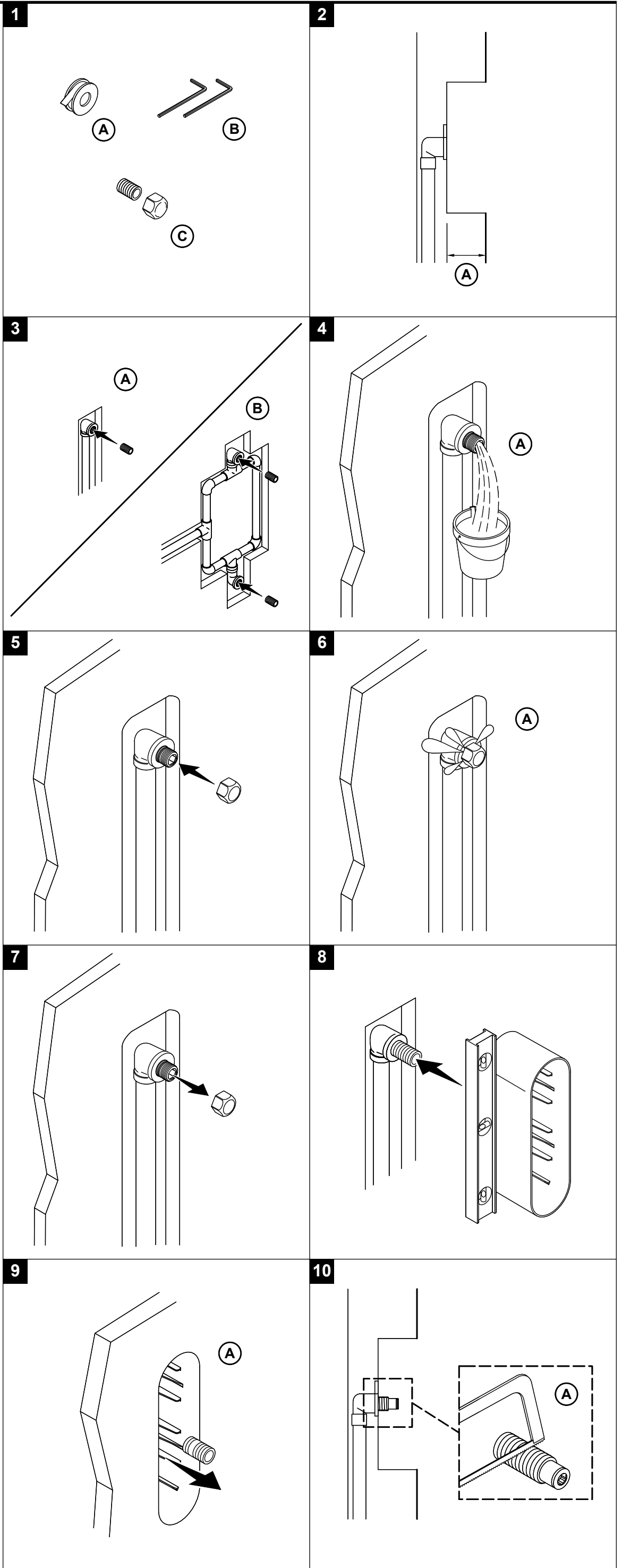
10A. Cắt đầu nối sao cho mặt đầu nối cách tường hoàn thiện từ 1-11/16" (42 mm) - 2" (51 mm) khi lắp đặt.

11A. Sử dụng cờ lê lục giác M8, vặn đầu nối ống vào đầu nối góc/đầu nối chữ T.

12A. Sử dụng cờ lê lục giác M10, vặn đầu chuyển vào đầu nối ống.

14A. Định vị một lỗ thoát nước ở phía bên dưới.

Bạn cần trợ giúp? Hãy liên hệ với Trung tâm Chăm sóc Khách hàng của chúng tôi.



- Thái Lan: callcenterthailand@kohler.com, +(66) 2700-9299
 - Úc: 1800 KOHLER (1800-564-537)
 - New Zealand: 0800-564-537
 - Trung Quốc đại lục: +(86) 800-820-2628, +(86) 400-820-2628
 - Hồng Kông (Trung Quốc), Ma Cao (Trung Quốc), Đài Loan (Trung Quốc): +(852) 3125-7728
 - Brunei, Guam, Indonesia, Nhật Bản, Malaysia, Mông Cổ, Philippines, Singapore, Hàn Quốc, Việt Nam: +(86) 21-2606-2572
- Sản phẩm này được bảo hành theo **Bảo hành Giới hạn Năm Năm Dành cho Vòi nước KOHLER®**, có trong Chứng nhận Tuân thủ kèm theo.

